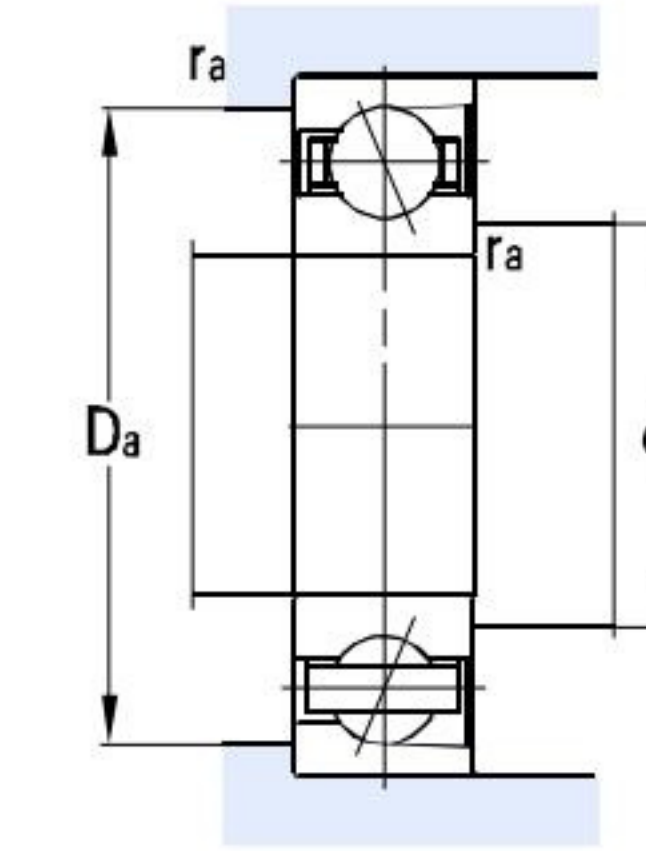
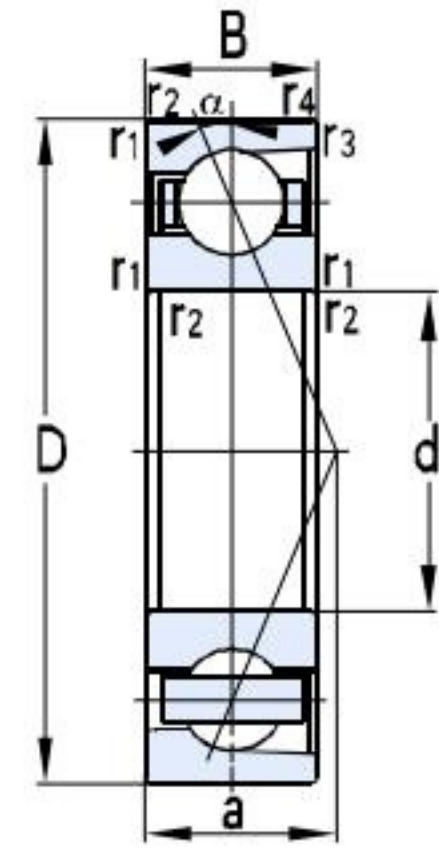
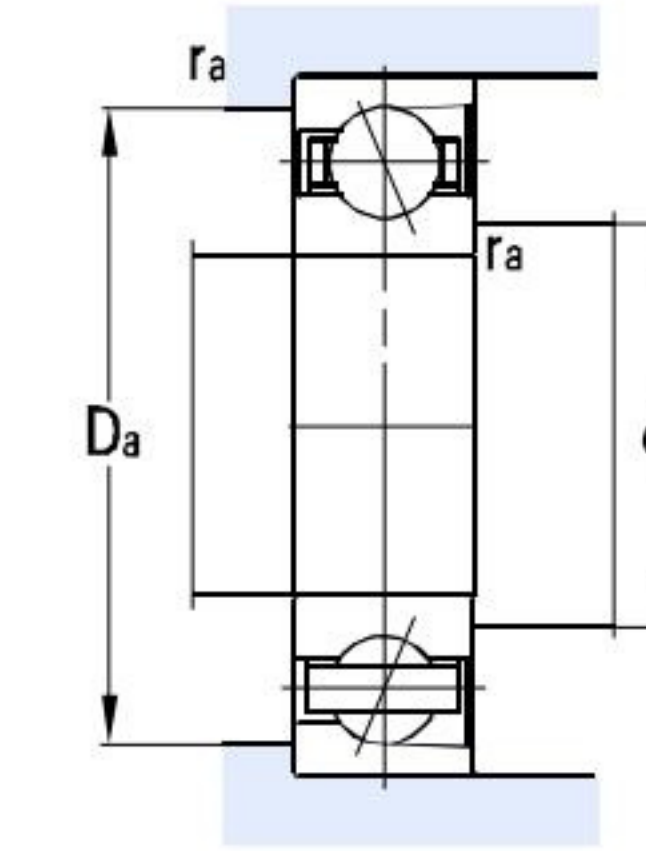
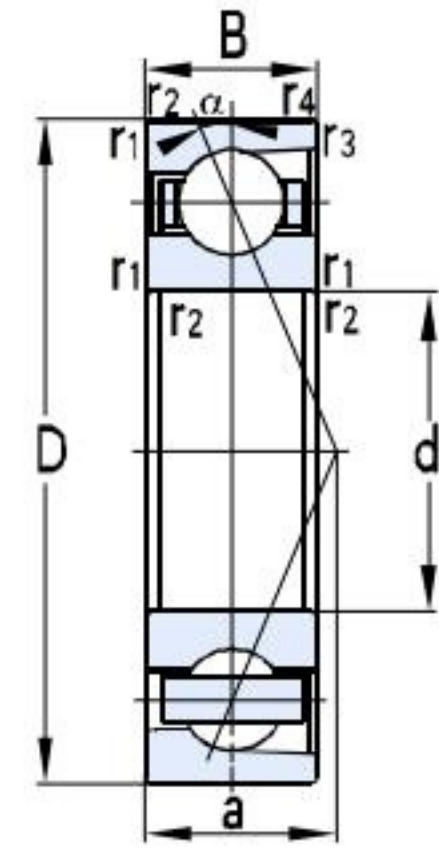


Single Row Angular Contact Ball Bearings



Basic Dimensions					Basic Load Ratings		Limit Rotational Speed		Bearing Part Number	Acting Point	Mounting Dimensions			Weight
d	D	B (2B)	r12	r34	Cr	Cor	Grease	Oil		a	da(max)	Da(max)	ra(max)	
mm					KN		r/min				mm			Kg
35	72	17	1.1	1.1	30.5	20.7	8000	11000	7207AC	31	42	65	1	0.304
45	100	25	1.5	0.6	65.0	45.0	6000	8000	7309ACM	29.4	64	91	1.5	1.02
50	90	20	1.1	0.6	40.3	30.0	5800	7800	7210AC	26.3	57	83	1	0.460
	110	27	2	1	71.5	49.0	5600	7500	7310ACM	32.2	60	100	2	1.16
55	90	18	1.1	0.6	31.2	26.0	7500	10000	7011AC	25.9	62	83	1	0.385
	100	21	1.5	0.6	50.7	38.0	7100	10000	7211AC	28.6	64	91	1.5	0.599
	120	29	2	1	88.4	63.0	5000	6700	7311ACM	34.9	65	110	2	1.65
60	130	31	2.1	1.1	94.9	67.0	4800	6300	7312AC	37.7	72	118	2	1.80
65	100	18	1.1	0.6	33.8	31.0	6700	9500	7013AC	28.2	72	93	1	0.414
	120	23	1.5	0.6	73	59.0	5000	6700	7213ACM	50	74	111	1.5	1.18
	130	31	2.1	1.1	105	67.0	4500	6000	7312ACM	55	72	118	2	2.16
	140	33	2.1	1.1	114	84.0	4300	6000	7313ACM	40.4	77	128	2	2.61
70	110	20	1.1	0.6	44.2	41.0	6300	8500	7014ACM	31	77	103	1	0.725
	125	24	1.5	0.6	75.4	62.0	5600	8000	7214ACM	34.7	79	116	1.5	1.26
	150	35	2.1	1.1	129	96.0	4000	5300	7314ACM	43.2	82	138	2	3.01
75	130	25	1.5	0.6	79.3	67.0	5600	7500	7215ACM	36.4	84	121	1.5	1.29
	160	37	2.1	1.1	140	109	3800	5000	7315ACM	45.9	87	148	2	3.57
80	125	22	1.1	0.6	55.9	53.0	4500	6000	7016ACJ	34.9	87	118	1	0.849
	125	22	1.1	0.6	56.5	52.5	5600	7500	7016ACM	40.6	87	118	1	0.997
	140	26	2	1	92.3	79.0	5000	7100	7216ACM	38.7	90	130	2	1.73
	170	39	2.1	1.1	152	122	3600	4800	7316ACM	48.7	92	158	2	4.21
85	130	22	1.1	0.6	57.2	56.0	5300	7100	7017ACM	36.1	92	123	1	1.12
	150	28	2	1	98.8	86.0	4800	6700	7217ACM	41.4	95	140	2	1.72
	180	41	3	1.1	164	137	3400	4500	7317ACM	51.4	99	166	2.5	4.99
90	140	24	1.5	0.6	67.6	66.0	4800	6700	7018ACM	38.8	99	131	1.5	1.39
	160	30	2	1	117	100	4500	6000	7218ACM	44.1	100	150	2	2.35
	190	43	3	1.1	176	152	3200	4300	7318ACM	54.1	104	176	2.5	6.18

Single Row Angular Contact Ball Bearings



Basic Dimensions					Basic Load Ratings		Limit Rotational Speed		Bearing Part Number	Acting Point	Mounting Dimensions			Weight
d	D	B (2B)	r12	r34	Cr	Cor	Grease	Oil		a	da(max)	Da(max)	ra(max)	
mm					KN		r/min				mm			Kg
95	170	32	2.1	1.1	133	114	4300	5600	7219ACM	46.9	107	158	2	2.97
100	150	24	1.5	0.6	76.7	77.0	4500	6000	7020AC	41.2	109	141	1.5	1.25
	180	34	2.1	1.1	148	130	4000	5300	7220ACM	49.6	112	168	2	3.74
	200	45	3	1.1	189	167	3000	4000	7319ACM	56.9	109	186	2.5	6.67
	215	47	3	1.1	213	199	2800	3800	7320ACM	60.2	114	201	2.5	9.61
110	170	28	2	1	98.8	101	4000	5300	7022ACM	46.7	120	160	2	2.41
	200	38	2.1	1.1	176	164	3600	4800	7222ACM	55.1	122	188	2	4.81
	240	50	3	1.1	239	231	2600	3400	7322ACM	65.8	124	226	2.5	9.97
120	180	28	2	1	100	107	3600	5000	7024ACM	49	130	170	2	2.62
	215	40	2.1	1.1	190	184	3200	4500	7224ACM	59.1	132	203	2	6.04
	260	55	3	1.1	265	269	2200	3000	7324AC	71.8	134	246	2.5	13.7
130	230	40	3	1.1	196	200	2400	3200	7226ACM	62	144	216	2.5	7.26
140	210	33	2	1	125	137	3200	4300	7028ACM	57.3	150	200	2	4.14
	250	42	3	1.1	220	237	2200	3000	7228ACM	66.5	154	236	2.5	8.71
	300	62	4	1.5	275	300	1600	2200	7328B	123.3	158	282	3	21.2
150	225	35	2.1	1.1	153	170	2400	3000	7030ACM	61.2	162	213	2	4.80
	320	65	4	1.5	359	429	1800	2400	7330AC	87.6	168	302	3	25.8
160	290	48	3	1.1	250	289	1900	2600	7232AC	76.5	174	276	2.5	14.5
180	320	52	4	1.5	317	399	1700	2200	7236AC	84.3	198	302	3	17.9
200	360	58	4	1.5	345	462	1500	2000	7240AC	94.3	218	342	3	25.2
220	400	65	4	1.5	423	605	1100	1600	7244AC	104.7	238	382	3	36.1
1000	1220	100	6	3	830	2460	260	360	718/1000A	370	1023	1197	5	239